

LED Garden Light Specification



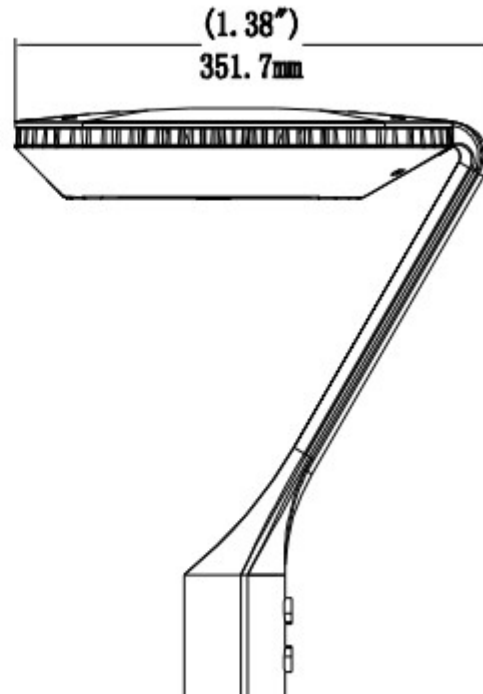
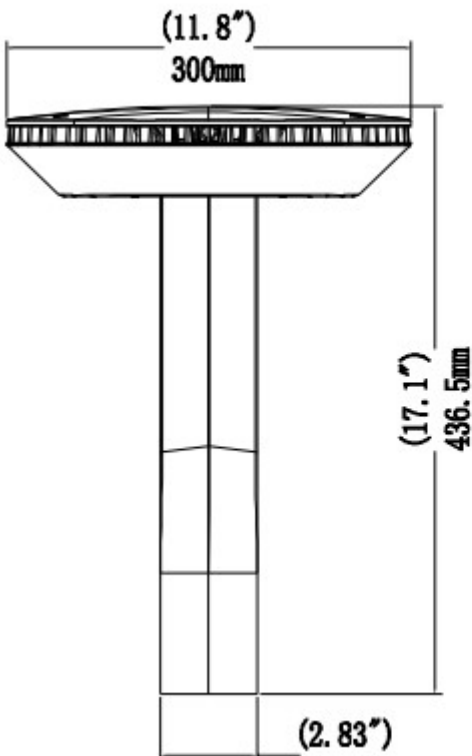
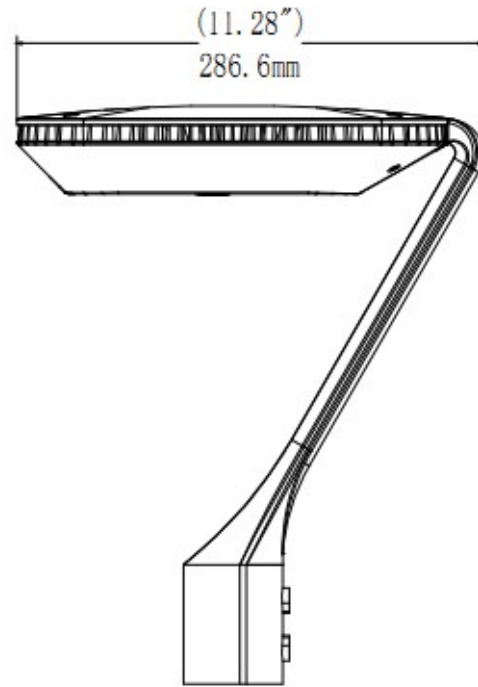
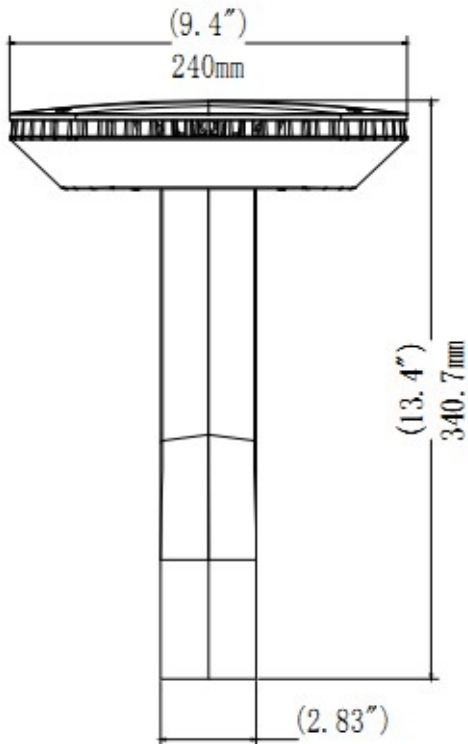
I . Application :

Pedestrian street, factory, schools, garden, courtyard, hotel, parking lot, public park etc.

II . Features:

1. Lighter in weight. High cost performance.
 2. Different precision refractive optical lens designed for various applications. Using high brightness Samsung led chips and high quality Mean Well driver .
 3. IP65 suitable for wet locations.
 4. Environment friendly. Contains no lead or mercury.
 5. Warranty: 5 years.
 6. DIALUX simulation design available.
-

III. Product Size:



IV. Technical Parameter:

Model	CCT	CRI	Lumens	Size (MM)	System Power
YR-TP260-W020	3000K-7000K	≥70	2600LM	286.6*240*340.7	20±2W
YR-TP260-W035	3000K-7000K	≥70	4550LM	286.6*240*340.7	35±3W
YR-TP325-W50	3000K-7000K	≥70	6500LM	351.8*299.1*436.5	60±5W
YR-PT325-W100	3000K-7000K	≥70	13000LM	351.8*299.1*436.5	100±5W

Input Voltage: 100-277Vac or 180-528vac

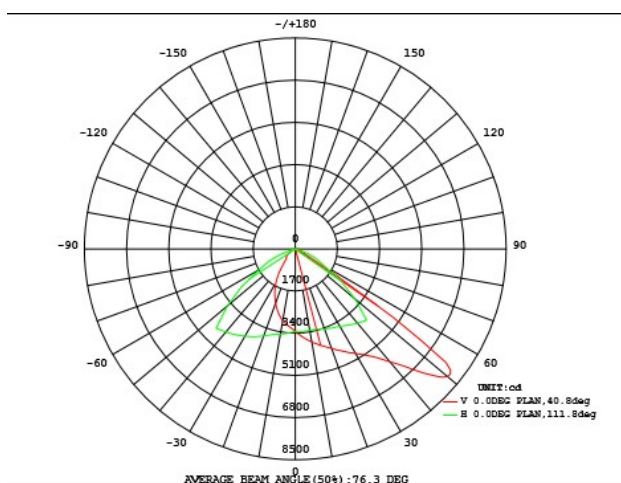
LED CHIP: Philips Lumileds 3030

LED driver: SOSEN / MEANWELL

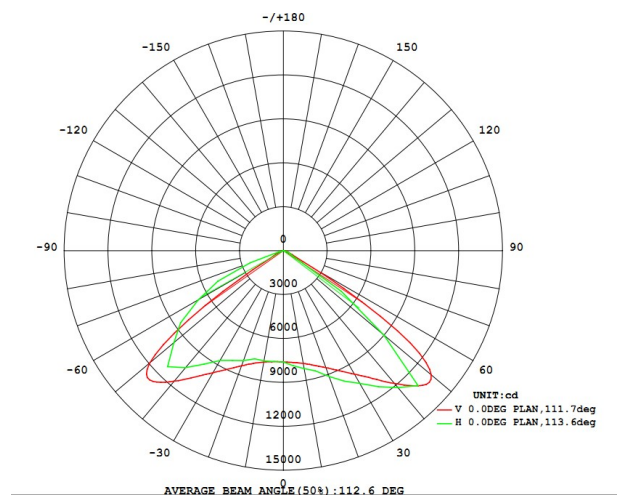
Working temperature: - 30~ + 50°C

V. Beam Angle:

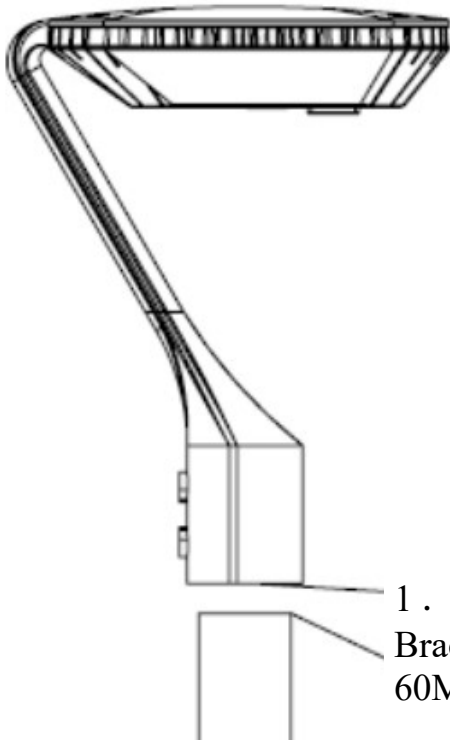
Type IV 100*140Deg



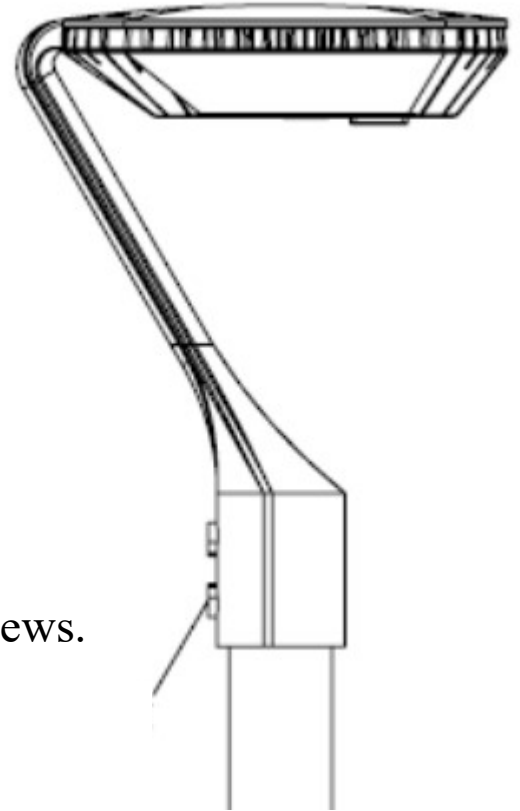
Type V 120Deg



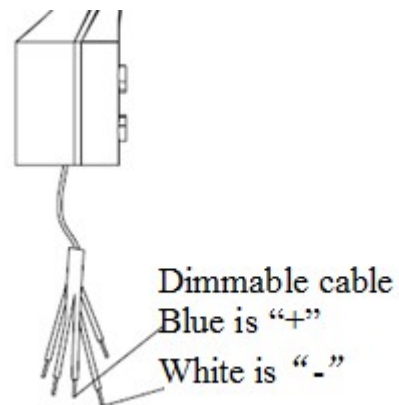
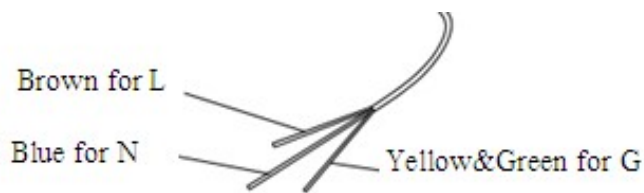
VI. Installation Instruction



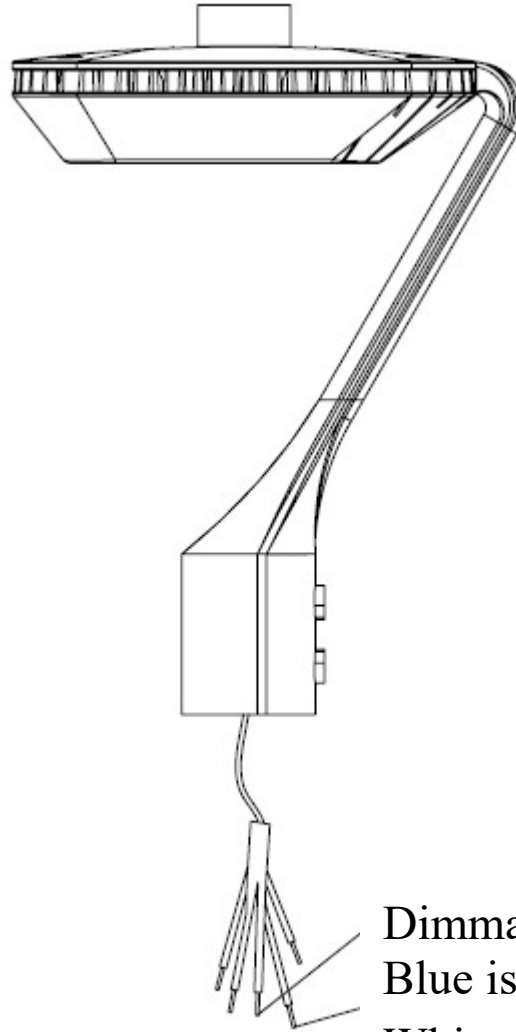
1 . The Pole's and the Bracket Diameter is 60MM



2 Tighten the M8 screws.



Photocell sensor available



Brown for L

Blue for N

Yellow&Green

Dimmable cable

Blue is “+”

White is “-”

VII. Package Information:

Item	G.W	N.W	Carton Size (MM)
YR-TP260-W020	5.0	4.2	320*285*415mm
YR-TP260-W035	5.2	4.4	320*285*415mm
YR-TP325-W50	8	6.8	485*350*400mm
YR-TP325-W100	8.2	7	485*350*400mm

VIII. Installation Caution:

- 1、 Make sure the power has been turned off before maintenance.
- 2、 Clean the lens cover regularly to maintain high transmission of light.
- 3、 Clean up the dust from the reflector and heat sink regularly to keep sound heat dispersion.
- 4、 Be careful not to use water or corrosive solution for cleaning, preferably with a dry cloth.
- 5、 When install or replace power supply, directly open the back cover with a screwdriver, then remove the power supply. There are three-core cable of AC power, red corresponds to the power of “L”, blue to “N”, and green or yellow to “G” .